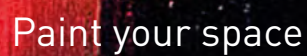


The logo for PLAYLED, featuring a stylized 'X' icon composed of a grid of small squares to the left of the word 'PLAYLED' in a bold, white, sans-serif font.

PLAYLED

The text 'BIG COLOR' in a bold, yellow, sans-serif font, positioned on the left side of the bottom section of the advertisement.

BIG COLOR

The text 'Paint your space' in a white, sans-serif font, positioned on the right side of the bottom section of the advertisement.

Paint your space

BIG COLOR

Paint your space



M A D E I N I T A L Y

REGE CAROLO III  
ANNO  
MDCCLXXVIII

## Discover a new dimension of light

Our **BIG COLOR** family will allow you to easily personalize any environment or outdoor space with elegance and creativity. An endless palette of colors and shades will be at your imagination's disposal.

# BIG COLOR ONE

The **BIG COLOR ONE** is designed to decorate and enhance the exterior façades of buildings, creating a unique and captivating visual effect. Available in three main colors (RED; GREEN; BLUE), it is ideal for recreating classic tricolor lighting in various contexts, such as trade fairs or artistic settings.





Power supply

**230V**

Direct connection to the network, without external drivers or control units.



Consumption

**120W**

Full power on the single color.



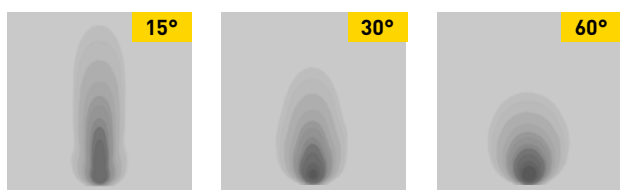
Diodes

**144 diodes**

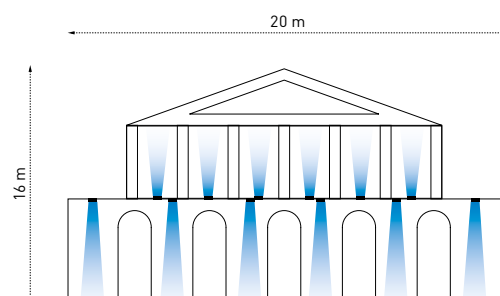
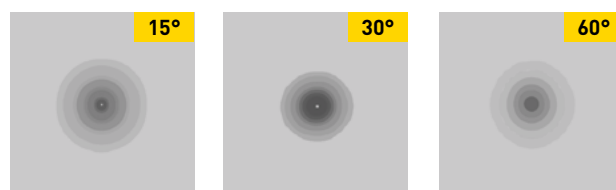
Chipped full color for an intense and brilliant effect.

# An optic for every need

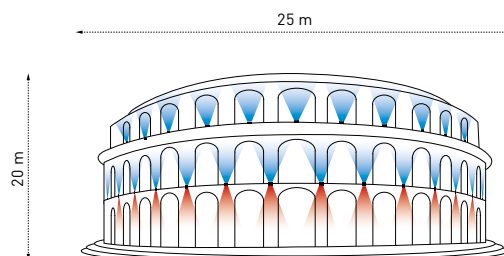
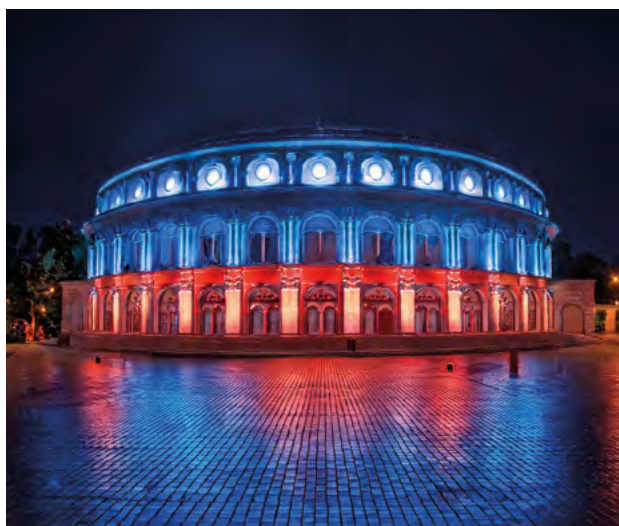
## LIGHT DISTRIBUTION ON WALL



## GROUND LIGHTING DISTRIBUTION

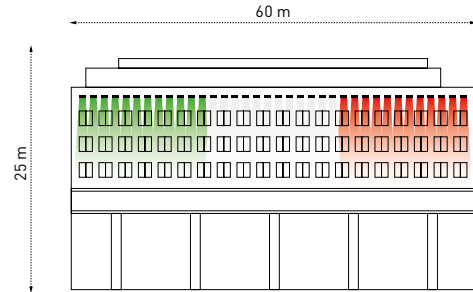


PRODUCT	COLOR	QUANTITY	OPTIC
BIG COLOR ONE	BLUE	12 UNITS	30°

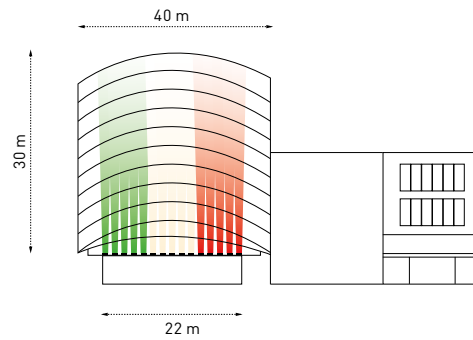


PRODUCT	COLOR	QUANTITY	OPTIC
BIG COLOR ONE	BLUE	25 UNITS	60°
BIG COLOR ONE	RED	12 UNITS	60°

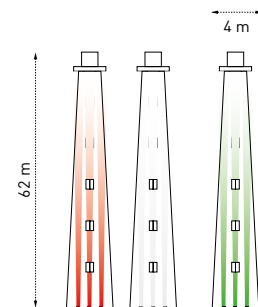
The installation diagrams represent a tool to guide the selection process and do not replace the lighting calculation.



PRODUCT	COLOR	QUANTITY	OPTIC
BIG COLOR ONE	GREEN	12 UNITS	30°
BIG HP 31000	5500 K	12 UNITS	30°
BIG COLOR ONE	RED	12 UNITS	30°



PRODUCT	COLOR	QUANTITY	OPTIC
BIG COLOR ONE	GREEN	5 UNITS	30°
BIG HP 31000	5500 K	5 UNITS	30°
BIG COLOR ONE	RED	5 UNITS	30°

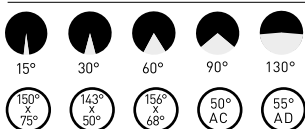


PRODUCT	COLOR	QUANTITY	OPTIC
BIG COLOR ONE	GREEN	3 UNITS	30°
BIG HP 31000	5500 K	3 UNITS	30°
BIG COLOR ONE	RED	3 UNITS	30°

The installation diagrams represent a tool to guide the selection process and do not replace the lighting calculation.

# BIG COLOR ONE

## BEAM ANGLES

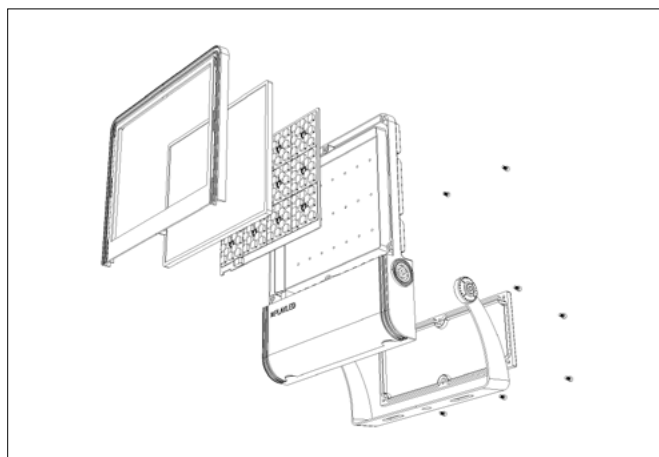


## CONSUMPTION

120W

## POWER SUPPLY

230V



## GENERAL FEATURES

PROTECTION DEGREE	IP66
IK	09
WEIGHT	4500 G

## LIGHTING FEATURES

LED TYPE	3030
FLOW MAINTENANCE	90% 100000H (L90B10)
LUMINOUS FLUX TOLERANCE	= +/- 7%

## ELECTRICAL FEATURES

WATT	120W
CONSUMPTION TOLERANCE	= +/- 10%
LIGHT SOURCES	144
POWER SUPPLY	230V
DIMMERABLE	ON REQUEST

POWER FACTOR	0,95
MAINTENANCE INDEX	0,95

## MATERIAL FINISHES

BODY	POWDER-COATED DIECAST ALUMINIUM
FINISH	RAL9005
SCREEN	TEMPERED GLASS
CABLE	3X1.00 NEOPRENE
CABLE GLAND	NYLON

## TEMPERATURE

STORAGE	FROM -35°C TO +50°C
OPERATION	FROM -35°C TO +80°C

## RELIABILITY

RELIABILITY	UP TO 7-YEARS WARRANTY
-------------	------------------------

RECYCLABILITY	95%
---------------	-----

## BIG COLOR ONE RED

CODE	CCT	OPTIC	LUMEN		DESCRIPTION
			NOMIN	OUTPUT TA°=25	
<b>SYMMETRIC</b>					
BGCL12015R	RED	15°	6929 LM	5505 LM	BIGCOLOR PROIET. 120W 15°230V ROSSO IP66
BGCL12030R	RED	30°	6929 LM	5505 LM	BIGCOLOR PROIET. 120W 30°230V ROSSO IP66
BGCL12060R	RED	60°	6929 LM	5505 LM	BIGCOLOR PROIET. 120W 60°230V ROSSO IP66
BGCL12090R	RED	90°	6929 LM	5505 LM	BIGCOLOR PROIET. 120W 90°230V ROSSO IP66
BGCL120150R	RED	130°	6929 LM	5505 LM	BIGCOLOR PROIET. 120W 130°230V ROSSO IP66
<b>ASYMMETRIC</b>					
BGCL120C50R	RED	50°AC	6929 LM	5505 LM	BIGCOLOR 120W AS.CONC.50°230V ROSSO IP66
BGCL120D55R	RED	55°AD	6929 LM	5505 LM	BIGCOLOR 120W AS.DIF.55°230V ROSSO IP66
BGCL120A2R	RED	143°X50°	6929 LM	5505 LM	BIGCOLOR 120W AS.143°X50°230V ROSSO IP66
BGCL120A3R	RED	156°X68°	6929 LM	5505 LM	BIGCOLOR 120W AS.156°X68°230V ROSSO IP66
BGCL120AR	RED	150°X75°	6929 LM	5505 LM	BIGCOLOR 120W AS.150°X75°230V ROSSO IP66

## BIG COLOR ONE GREEN

CODE	CCT	OPTIC	LUMEN		DESCRIPTION
			NOMIN	OUTPUT TA°=25	
<b>SYMMETRIC</b>					
BGCL12015V	GREEN	15°	12507 LM	9231 LM	BIGCOLOR PROIET. 120W 15°230V VERDE IP66
BGCL12030V	GREEN	30°	12507 LM	9231 LM	BIGCOLOR PROIET. 120W 30°230V VERDE IP66
BGCL12060V	GREEN	60°	12507 LM	9231 LM	BIGCOLOR PROIET. 120W 60°230V VERDE IP66
BGCL12090V	GREEN	90°	12507 LM	9231 LM	BIGCOLOR PROIET. 120W 90°230V VERDE IP66
BGCL120150V	GREEN	130°	12507 LM	9231 LM	BIGCOLOR PROIET. 120W 130°230V VERDE IP66
<b>ASYMMETRIC</b>					
BGCL120C50V	GREEN	50°AC	12507 LM	9231 LM	BIGCOLOR 120W AS.CONC.50°230V VERDE IP66
BGCL120D55V	GREEN	55°AD	12507 LM	9231 LM	BIGCOLOR 120W AS.DIF.55°230V VERDE IP66
BGCL120A2V	GREEN	143°X50°	12507 LM	9231 LM	BIGCOLOR 120W AS.143°X50°230V VERDE IP66
BGCL120A3V	GREEN	156°X68°	12507 LM	9231 LM	BIGCOLOR 120W AS.156°X68°230V VERDE IP66
BGCL120AV	GREEN	150°X75°	12507 LM	9231 LM	BIGCOLOR 120W AS.150°X75°230V VERDE IP66



**BIG COLOR ONE BLUE**

CODE	CCT	OPTIC	LUMEN		DESCRIPTION
			NOMIN	OUTPUT TA°=25	
<b>SYMMETRIC</b>					
BGCL12015B	BLUE	15°	4281 LM	3425 LM	BIGCOLOR PROIET. 120W 15°230V BLU IP66
BGCL12030B	BLUE	30°	4281 LM	3425 LM	BIGCOLOR PROIET. 120W 30°230V BLU IP66
BGCL12060B	BLUE	60°	4281 LM	3425 LM	BIGCOLOR PROIET. 120W 60°230V BLU IP66
BGCL12090B	BLUE	90°	4281 LM	3425 LM	BIGCOLOR PROIET. 120W 90°230V BLU IP66
BGCL120150B	BLUE	130°	4281 LM	3425 LM	BIGCOLOR PROIET. 120W 130°230V BLU IP66
<b>ASYMMETRIC</b>					
BGCL120C50B	BLUE	50°AC	4281 LM	3425 LM	BIGCOLOR 120W AS.CONC.50°230V BLU IP66
BGCL120D55B	BLUE	55°AD	4281 LM	3425 LM	BIGCOLOR 120W AS.DIF.55°230V BLU IP66
BGCL120A2B	BLUE	143°X50°	4281 LM	3425 LM	BIGCOLOR 120W AS.143°X50°230V BLU IP66
BGCL120A3B	BLUE	156°X68°	4281 LM	3425 LM	BIGCOLOR 120W AS.156°X68°230V BLU IP66
BGCL120AB	BLUE	150°X75°	4281 LM	3425 LM	BIGCOLOR 120W AS.150°X75°230VBLU IP66

**BIG HP 31000 5500K - WHITE LIGHT**

CODE	CCT	OPTIC	LUMEN		DESCRIPTION
			NOMIN	OUTPUT TA°=25	
<b>SYMMETRIC</b>					
BGSHP3112015F	5500 K	15°	32105 LM	23310 LM	BIG HP31000 PROIET. 120W 15°230V 5500K IP66
BGSHP3112030F	5500 K	30°	32105 LM	23310 LM	BIG HP31000 PROIET. 120W 30°230V 5500K IP66
BGSHP3112060F	5500 K	60°	32105 LM	23310 LM	BIG HP31000 PROIET. 120W 60°230V 5500K IP66
BGSHP3112090F	5500 K	90°	32105 LM	23310 LM	BIG HP31000 PROIET. 120W 90°230V 5500K IP66
BGSHP31120150F	5500 K	130°	32105 LM	23310 LM	BIG HP31000 PROIET. 120W 130°230V 5500K IP66
<b>ASYMMETRIC</b>					
BGSHP311205AF	5500 K	150°X75°	32105 LM	23310 LM	BIGHP31000 120W AS.150°X75°230V 5500K IP66
BGSHP31120A2F	5500 K	143°X50°	32105 LM	23310 LM	BIGHP31000 120W AS.143°X50°230V 5500K IP66
BGSHP31120A3F	5500 K	156°X68°	32105 LM	23310 LM	BIGHP31000 120W AS.156°X68°230V 5500K IP66
BGSHP31120C50F	5500 K	50°AC	32105 LM	23310 LM	BIGHP31000 120W AS.CONC.50°230V 5500K IP66
BGSHP31120D55F	5500 K	55°AD	32105 LM	23310 LM	BIGHP31000 120W AS.DIFF.55°230V 5500K IP66





# BIG COLOR RGBW

The **BIG COLOR RGBW** is an advanced product for decorative and professional lighting that, thanks to its four-channel technology, offers a wide range of vibrant and brilliant colors.

The precision of the optics delivers a clean and sharp result, allowing for the accurate enhancement and depiction of architectural structures and the urban space that hosts them. Offered in **two different sizes**, it is also ideal for indoor environments and artistic installations, achieving an almost **infinite variety of dynamic and customizable lighting effects**.

The ability to adjust the intensity of each channel allows for **smooth transitions** between different shades, **making it possible to tailor the light to any occasion**.



Power supply

**50V**



Consumption

**24W**




Diodes

**24 diodes**



**BIG COLOR 230 RGBW**

  
Power supply

**230V**

  
Consumption

**230W**

  
Diodes

**72 diodes**



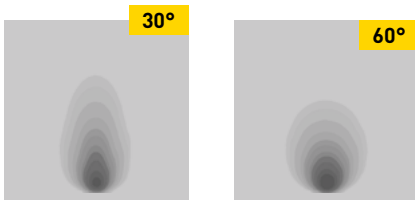
**IP66**

Artistic  
even in  
the rain

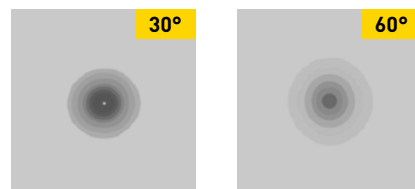


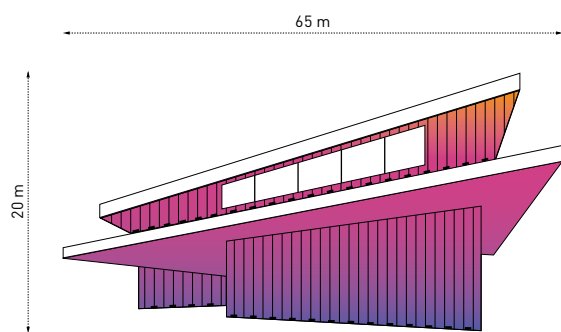
## An optic for every need

**LIGHT DISTRIBUTION ON WALL**



**GROUND LIGHTING DISTRIBUTION**





PRODUCT	QUANTITY	OPTIC
BGCL23030RGBW	34 UNITS	30°

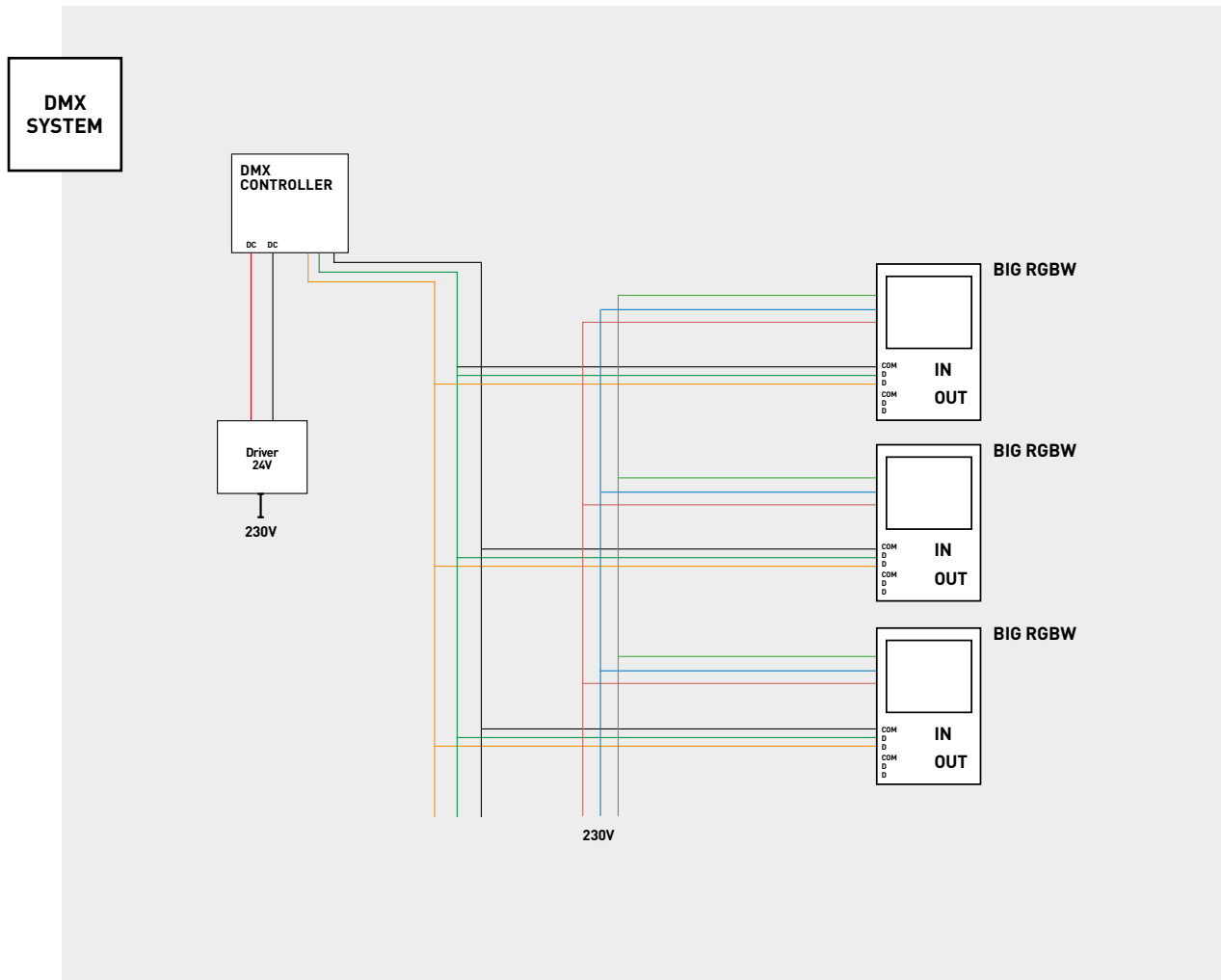
The installation diagrams represent a tool to guide the selection process and do not replace the lighting calculation.

# Wiring and DMX control

## BIG COLOR 230 RGBW

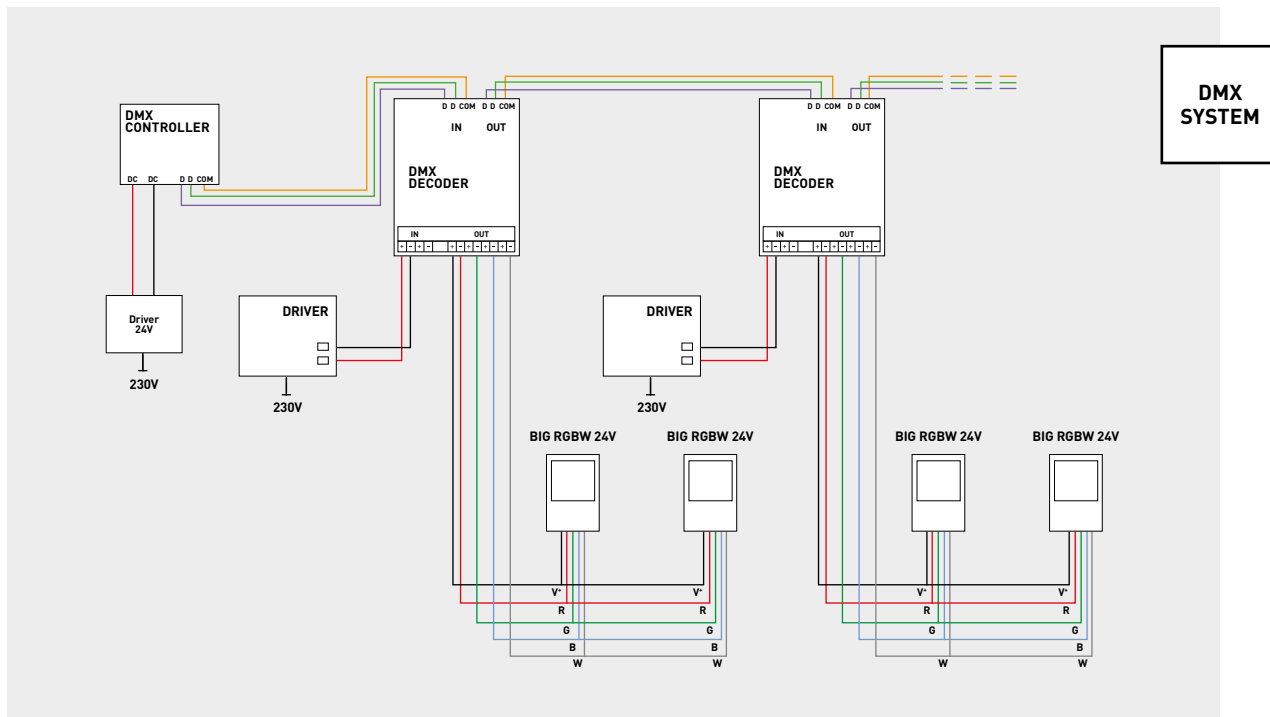
The **BIG COLOR 230 RGBW** is compatible with all DMX management systems on the market, ranging from the simplest ones designed for managing small spaces or building facades to the most complex. The data bus connection allows our products to be integrated into even complex systems, including audio systems or special effects machines.

To complement our offering, we propose the management system represented below, which allows for the management of four product groups, each of which can be separately assigned different commands.

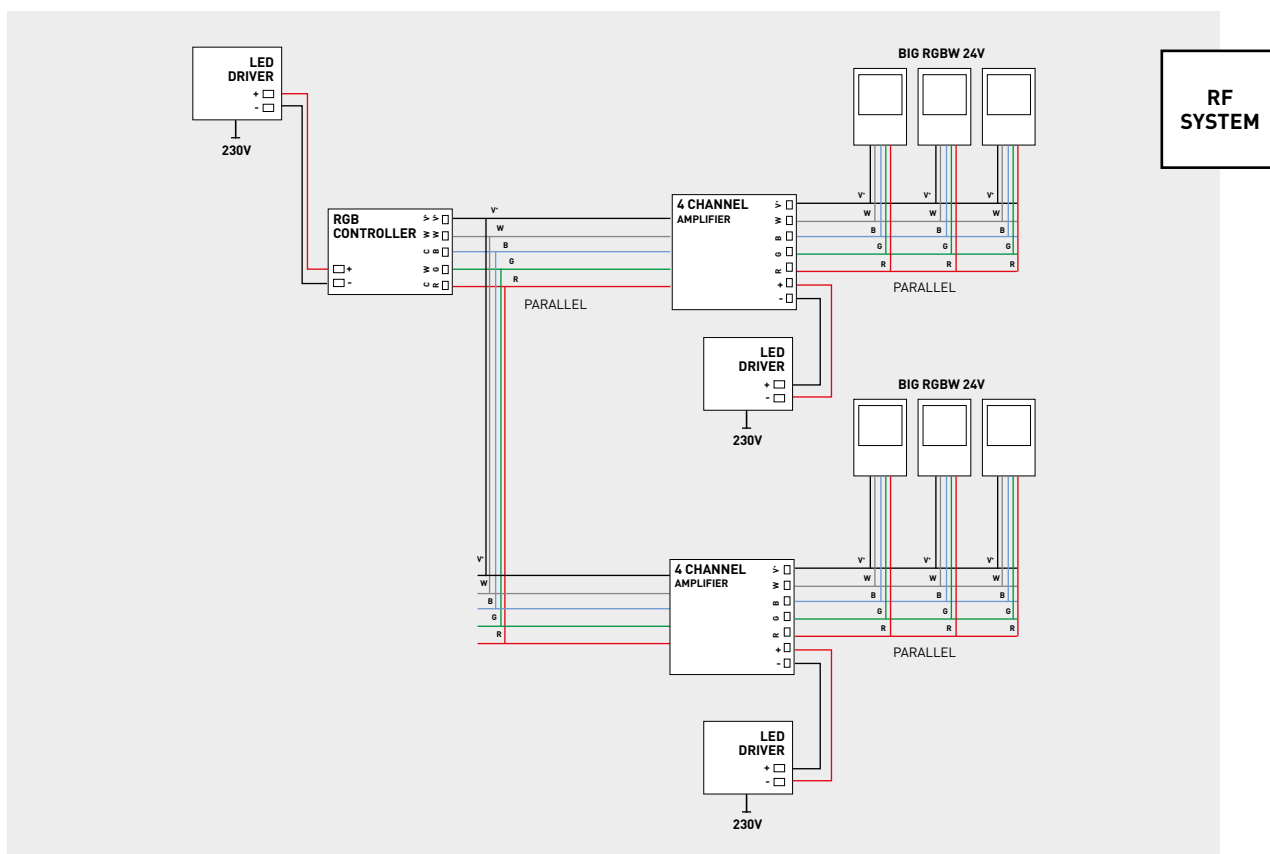


## BIG COLOR 24 RGBW

The **BIG COLOR 24 RGBW** is compatible, through an intermediate controller, with all DMX management systems available on the market. The wired DMX system enables fast and responsive control of the products, allowing for customizable dynamic scenarios. To complete the offering, we present the system illustrated below. The intermediate controller can manage up to three projectors.



The **BIG COLOR 24 RGBW** is compatible with commercially available radio frequency systems, with the advantage of being able to install these products even where it is not possible to lay the data bus, such as in historical buildings. The system we propose, the diagram of which is shown below, creates a single management group, making it ideal for small environments or facades where color differentiation for each projector is not required.



# BIG COLOR 24 RGBW

GENERAL FEATURES	
PROTECTION DEGREE	IP66
IK	09
WEIGHT	3600 G
LIGHTING FEATURES	
LED TYPE	3030
FLOW MAINTENANCE	90% 100000H (L90B10)
LUMINOUS FLUX TOLERANCE	=+/- 7%
ELECTRICAL FEATURES	
WATT	50W
CONSUMPTION TOLERANCE	=+/- 10%
LIGHT SOURCES	24
POWER SUPPLY	24V
DIMMERABLE	PWM DIMMABLE
POWER FACTOR	0,95
MAINTENANCE INDEX	0,95
MATERIAL FINISHES	
BODY	POWDER-COATED DIECAST ALUMINIUM
FINISH	RAL9023
SCREEN	HIGH THICKNESS TEMPERED GLASS
CABLE	5X0.75 NEOPRENE
CABLE GLAND	NICKEL-PLATED BRASS
TEMPERATURE	
STORAGE	FROM -35°C TO +50°C
OPERATION	FROM -35°C TO +80°C
RELIABILITY	UP TO 7-YEARS WARRANTY
RECYCLABILITY	95%

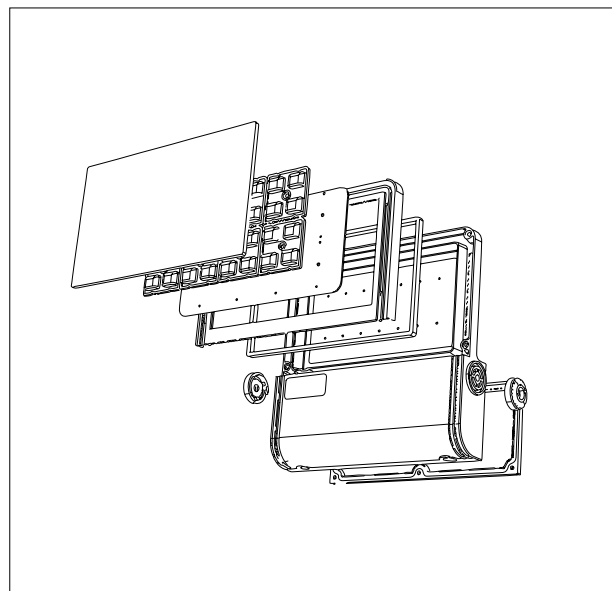
## BEAM ANGLES



## CONSUMPTION



## POWER SUPPLY



## BIG COLOR 24 RGBW

CODE	CCT	OPTIC	LUMEN		DESCRIPTION
			NOMIN	OUTPUT TA°=25	
<b>SYMMETRIC</b>					
BGCL5030RGBW	RGBW	30°	3118 LM	2678 LM	BIGCOLOR PROIET. 50W 30°24V RGBW IP66
BGCL5060RGBW	RGBW	60°	3118 LM	2678 LM	BIGCOLOR PROIET. 50W 60°24V RGBW IP66
BGCL5090RGBW	RGBW	90°	3118 LM	2678 LM	BIGCOLOR PROIET. 50W 90°24V RGBW IP66
BGCL50150RGBW	RGBW	130°	3118 LM	2678 LM	BIGCOLOR PROIET.50W 130°24V RGBW IP66

# BIG COLOR 230 RGBW

GENERAL FEATURES	
PROTECTION DEGREE	IP66
IK	09
WEIGHT	7500 G
LIGHTING FEATURES	
LED TYPE	3030
FLOW MAINTENANCE	90% 100000H (L90B10)
LUMINOUS FLUX TOLERANCE	=+/- 7%
ELECTRICAL FEATURES	
WATT	230W
CONSUMPTION TOLERANCE	=+/- 10%
LIGHT SOURCES	72
POWER SUPPLY	220V
DIMMERABLE	DMX DIMMABLE
POWER FACTOR	0,95
MAINTENANCE INDEX	0,95
MATERIAL FINISHES	
BODY	POWDER-COATED DIECAST ALUMINIUM
FINISH	RAL9023
SCREEN	HIGH THICKNESS TEMPERED GLASS
CABLE	5X0.75 NEOPRENE
CABLE GLAND	NICKEL-PLATED BRASS
TEMPERATURE	
STORAGE	FROM -35°C TO +50°C
OPERATION	FROM -35°C TO +80°C
RELIABILITY	UP TO 7-YEARS WARRANTY
RECYCLABILITY	95%

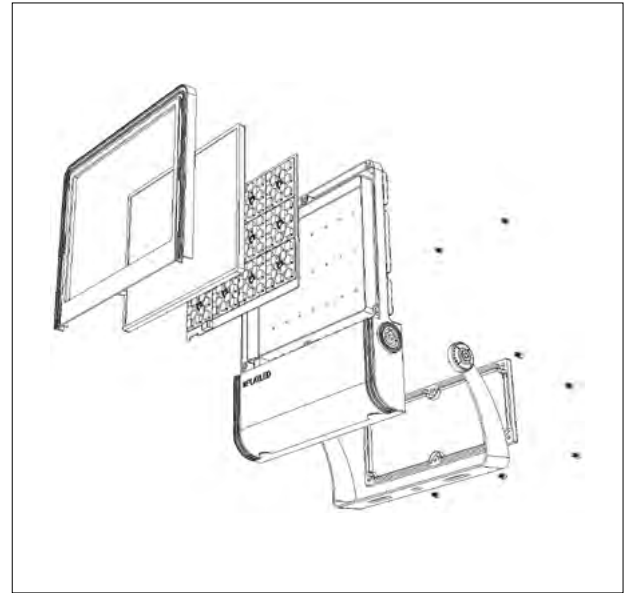
## BEAM ANGLES



## CONSUMPTION

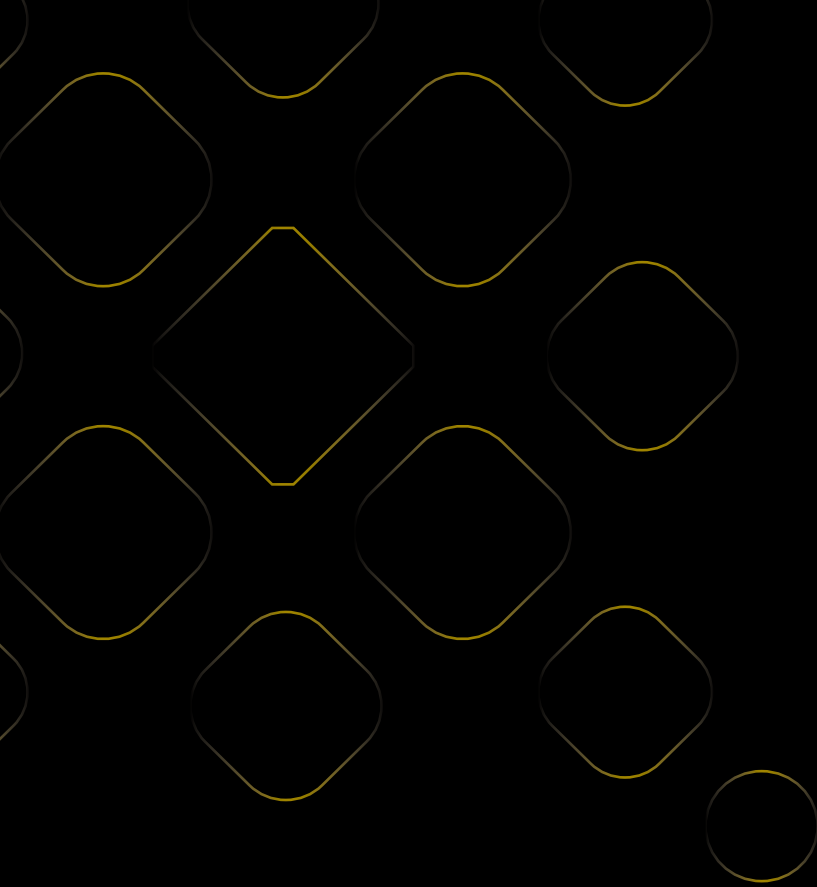


## POWER SUPPLY



## BIG COLOR 230 RGBW

CODE	CCT	OPTIC	LUMEN		DESCRIPTION
			NOMIN	OUTPUT TA°=25	
<b>SYMMETRIC</b>					
BGCL23030RGBW	RGBW	30°	10207 LM	9829 LM	BIGCOLOR PROIET. 230W 30°24V RGBW IP66
BGCL23060RGBW	RGBW	60°	10207 LM	9829 LM	BIGCOLOR PROIET. 230W 60°24V RGBW IP66
BGCL23090RGBW	RGBW	90°	10207 LM	9829 LM	BIGCOLOR PROIET. 230W 90°24V RGBW IP66
BGCL230150RGBW	RGBW	130°	10207 LM	9829 LM	BIGCOLOR PROIET.230W 150°24V RGBW IP66



 **PLAYLED**

PLAYLED IS A BRAND OF **INGEGNERIE MECCANICHE ITALIANE S.R.L.**

ITALIAN MANUFACTURERS OF LIGHTING PRODUCTS